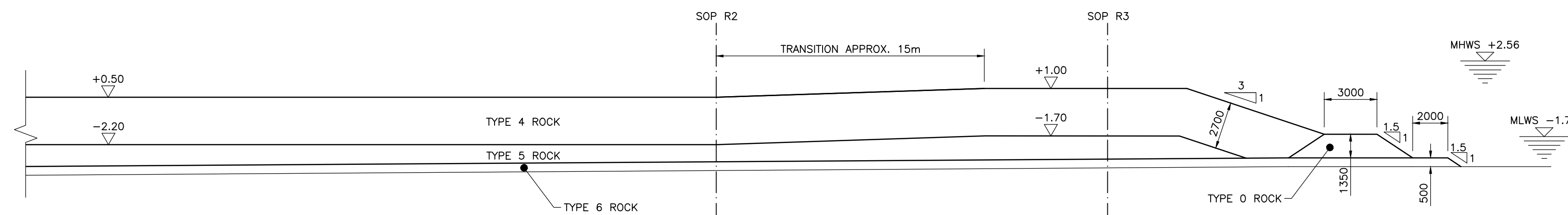
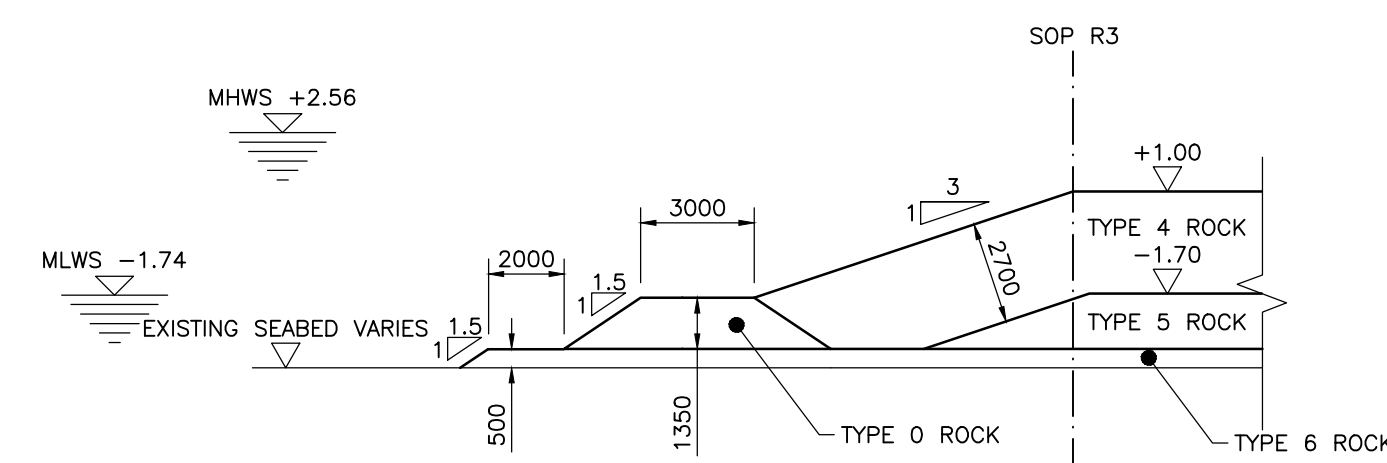


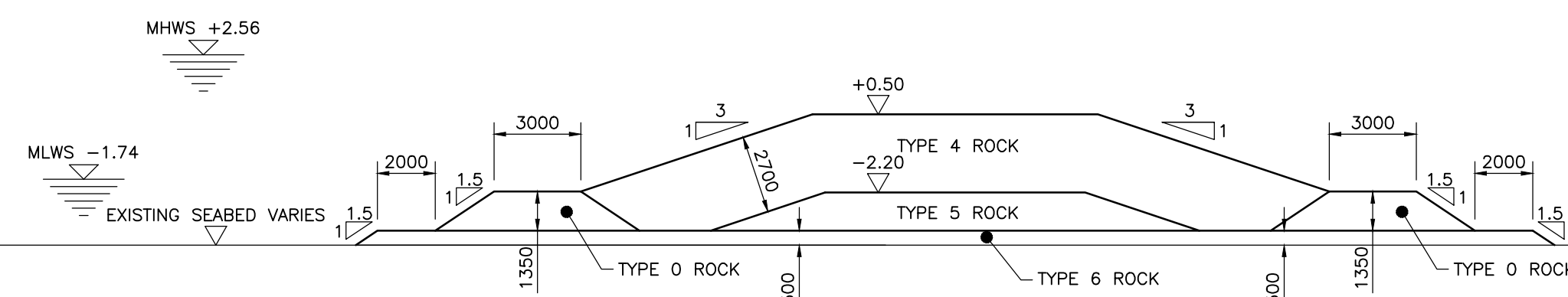
SECTION N1-N1
SCALE 1:200



SECTION N1-N1
SCALE 1:200



PART SECTION N2-N2
SCALE 1:200



SECTION N3-N3
SCALE 1:200

NOTES

- 1 ALL LEVELS ARE IN METRES RELATIVE TO ORDNANCE DATUM NEWLYN UNLESS NOTED OTHERWISE
- 2 ALL DIMENSIONS ARE IN MILLIMETRES
- 3 ALL MATERIALS AND WORKMANSHIP AS DEFINED IN SPECIFICATION UNLESS NOTED OTHERWISE
4. BED LEVELS VARY
5. FLOOD DEFENCE REQUIREMENT MUST BE MAINTAINED AT ALL TIMES WITH REFERENCE TO SPECIFICATION
6. APPROX. SIZE OF ROCK. FULL DETAILS GIVEN IN THE SPECIFICATION
 TYPE 0 8t
 TYPE 4 5-8t
 TYPE 5 500-1000Kg
 TYPE 6 5-100Kg

FOR CONSTRUCTION

REV	DATE	DESCRIPTION	BY	CHK	APP
C1	JAN 11	CONSTRUCTION ISSUE	AW	EAJ	MJN

REVISIONS



PROJECT
BORTH COASTAL PROTECTION SCHEME -PHASE 1

TITLE
NORTHERN REEF SECTIONS SHEET 1 OF 2

HASKONING UK LTD
COASTAL AND RIVERS DIVISION
 Registered Office: Ebbw Vale
 Peterborough PE3 5DW Telephone: +44 (0)1733 334455
 +44 (0)1733 262243 Fax: +44 (0)1733 262243
 info@peterborough.royalhaskoning.com E-mail: info@peterborough.royalhaskoning.com
 www.royalhaskoning.com Internet: www.royalhaskoning.com

DRAWN	TF	CHECKED	EAJ	PASSED	MJN
DATE	OCT'10	CLIENT'S REF.			
SCALE AT A1	1:250 UNO	AUTOCAD REF.	9V5090/1021.dwg		

DRAWING No.	9V5090/1021	REVISION	C1
-------------	-------------	----------	----