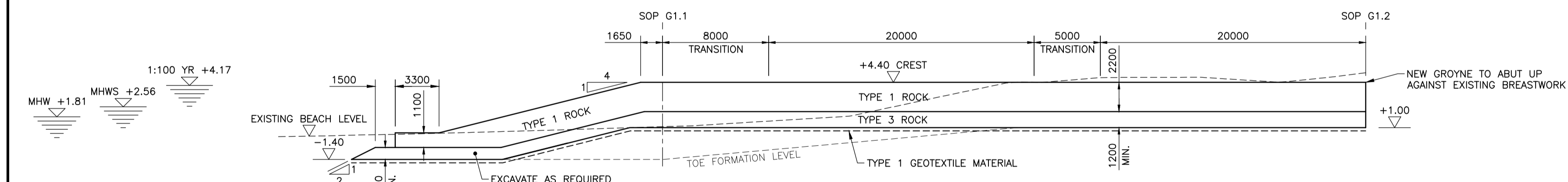
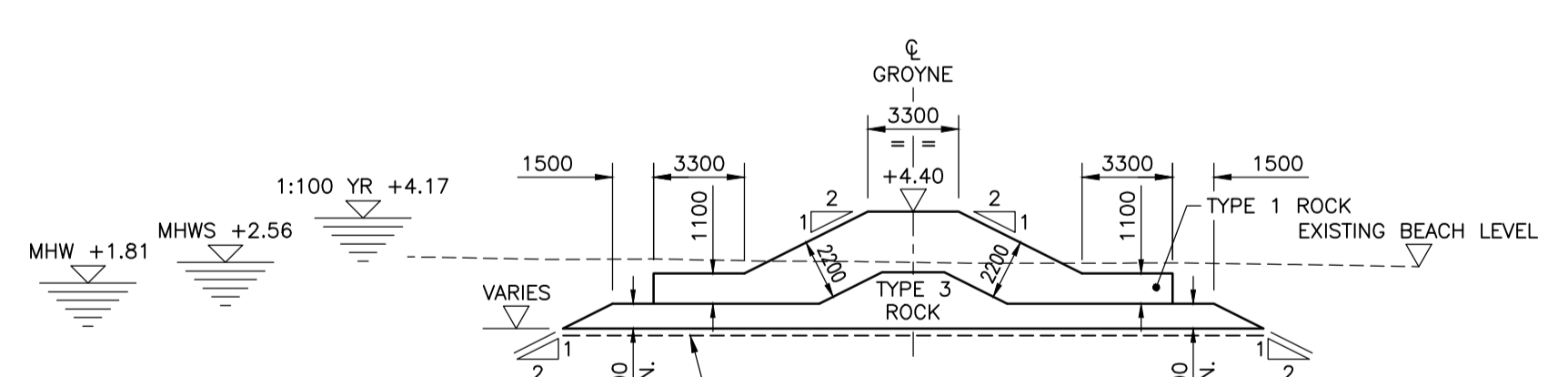


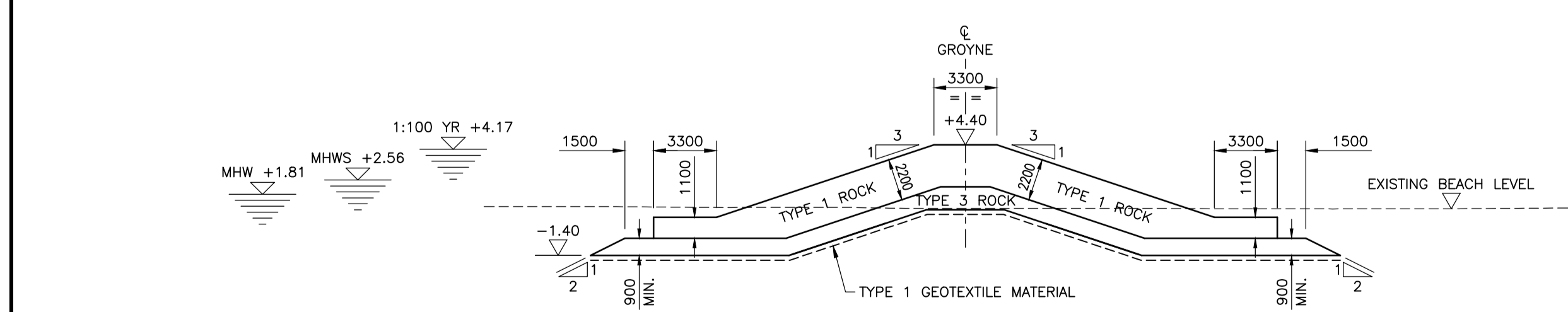
PLAN
SCALE 1:250



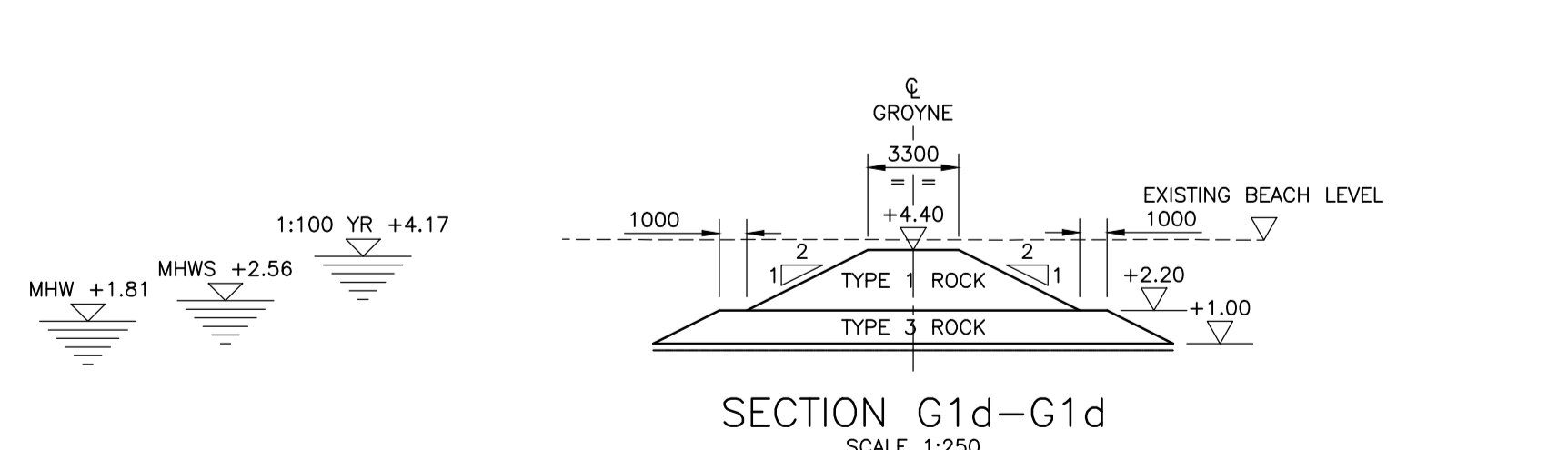
SECTION G1a-G1a
SCALE 1:250



SECTION G1c-G1c
SCALE 1:250



SECTION G1b-G1b
SCALE 1:250



SECTION G1d-G1d
SCALE 1:250

- NOTES
- ALL DIMENSIONS ARE IN MILLIMETRES UNLESS NOTED OTHERWISE.
 - ALL LEVELS ARE IN METRES RELATIVE TO ORDNANCE DATUM NEWLYN UNLESS NOTED OTHERWISE.
 - ALL CO-ORDINATES IN METRES RELATIVE TO ORDNANCE SURVEY NATIONAL GRID.
 - BEACH LEVELS VARY.
 - DATE OF SURVEY JUNE 2012.
 - FLOOD DEFENCE REQUIREMENT MUST BE MAINTAINED AT ALL TIMES WITH REFERENCE TO SPECIFICATION.
 - APPROX. SIZES OF ROCK. FULL DETAILS GIVEN IN THE SPECIFICATION

TYPE 0 = 8t
TYPE 1 = 3-6t
TYPE 2 = 1-3t
TYPE 3 = 300-1000kg

KEY
INDICATIVE EXPOSED ROCK

FOR PLANNING

P1	MR 13	FOR PLANNING	DLJ	EM	MJN
REV	DATE	DESCRIPTION	BY	CHK	APP

REVISIONS

CLIENT



PROJECT
BORTH COASTAL PROTECTION
SCHEME - PHASE 2

TITLE
GROYNE 1
SECTIONS AND DETAILS



DRAWN	DLJ	CHECKED	EM	APPROVED	MJN
DATE	FEB '13	SCALE AT A1	AS SHOWN	CLIENTS REF	9X4832/9007

DRAWING No.	9X4832/9007	REVISION	P1
-------------	-------------	----------	----